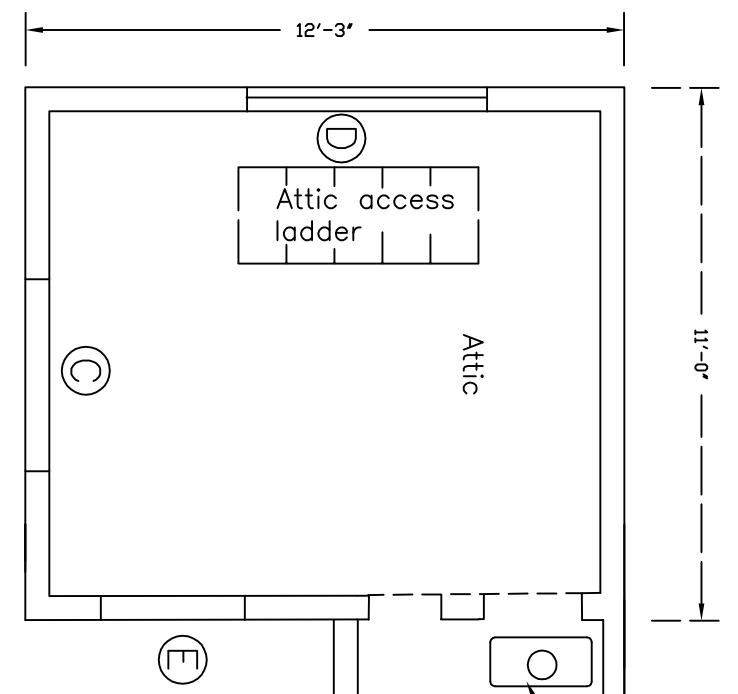


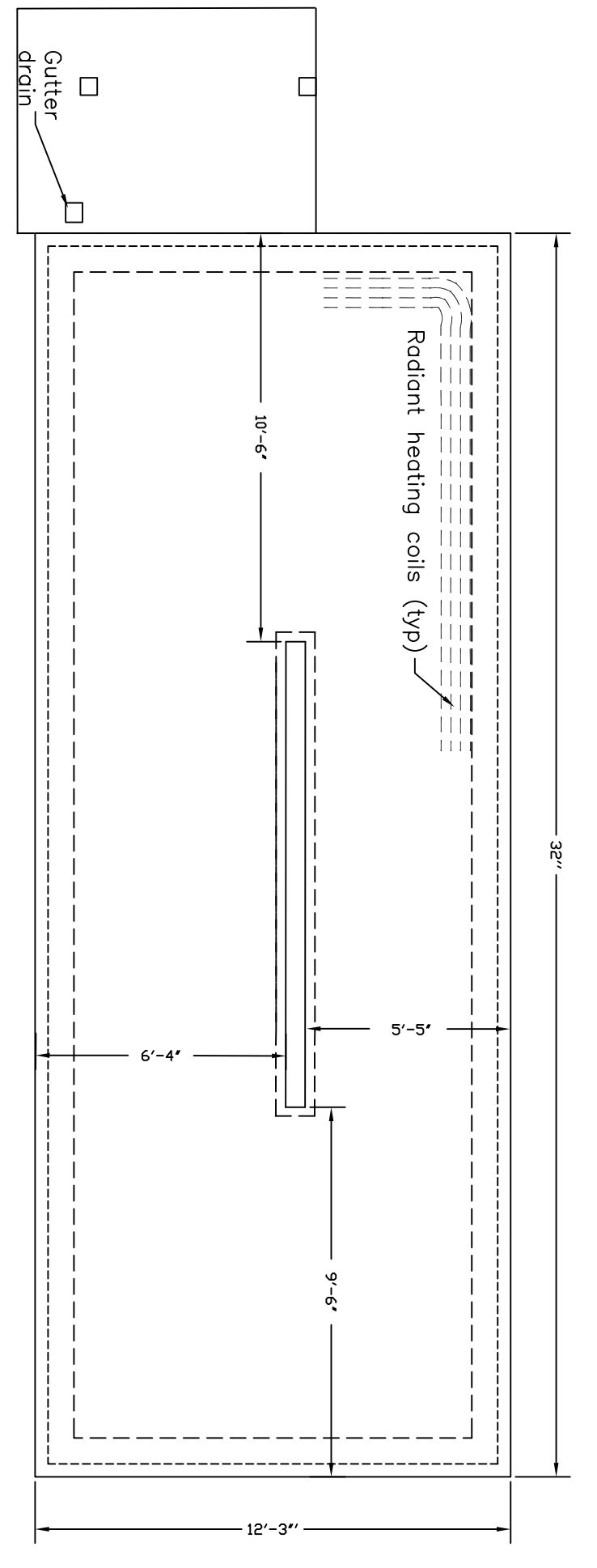
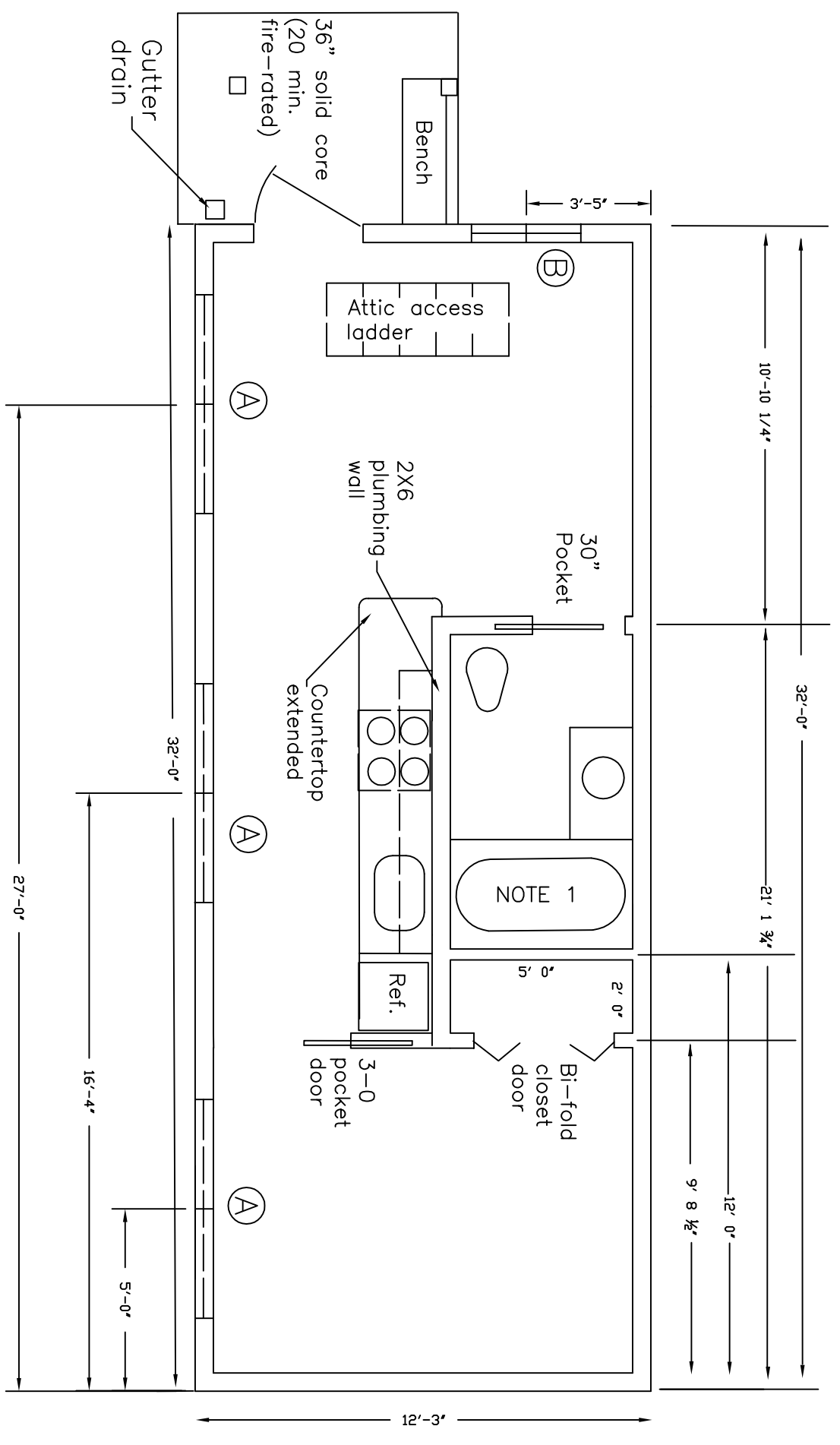
- Notes:
- 5' tub Shower wall covering to be ceramic tile over water proof cement plaster from floor to a min. of 70" above enclosure to be 1/8" thk. fully tempered glass sliding door
 - Shear: 3/8" OSB shear rolled w/Bd @ 6"OC edge and 12"OC field.



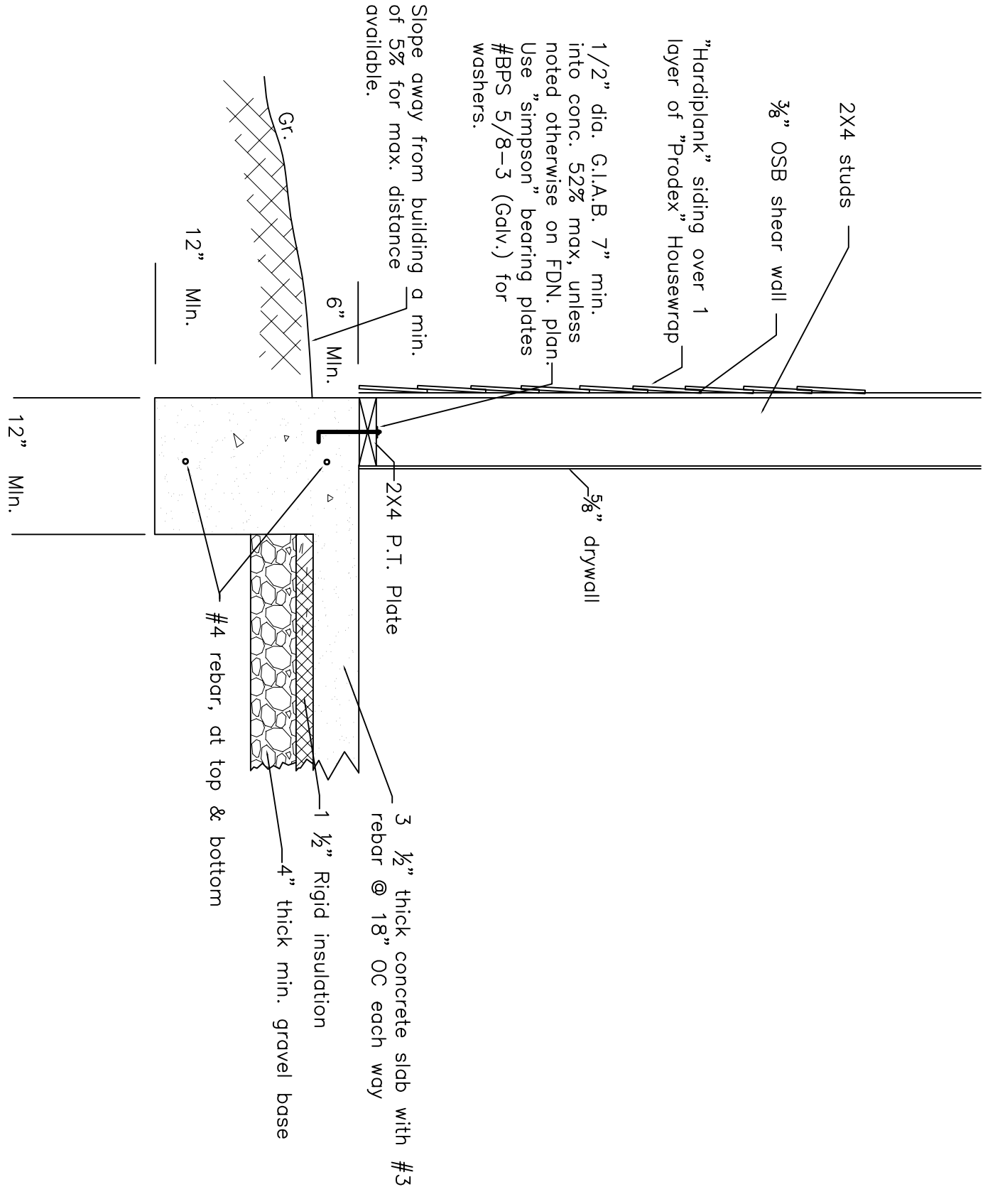
Window Schedule (Double pane throughout) U-value = 0.38

Window	U-value	Material
A	4-0	Vinyl Slider
B	4-0	Vinyl Slider
C	4-0	Round fixed
D	4-0	Vinyl Slider
E	3-0	2-3 Vinyl casement
8	2-3	2-3 Vinyl casement
2	2-3	2-3 Vinyl casement

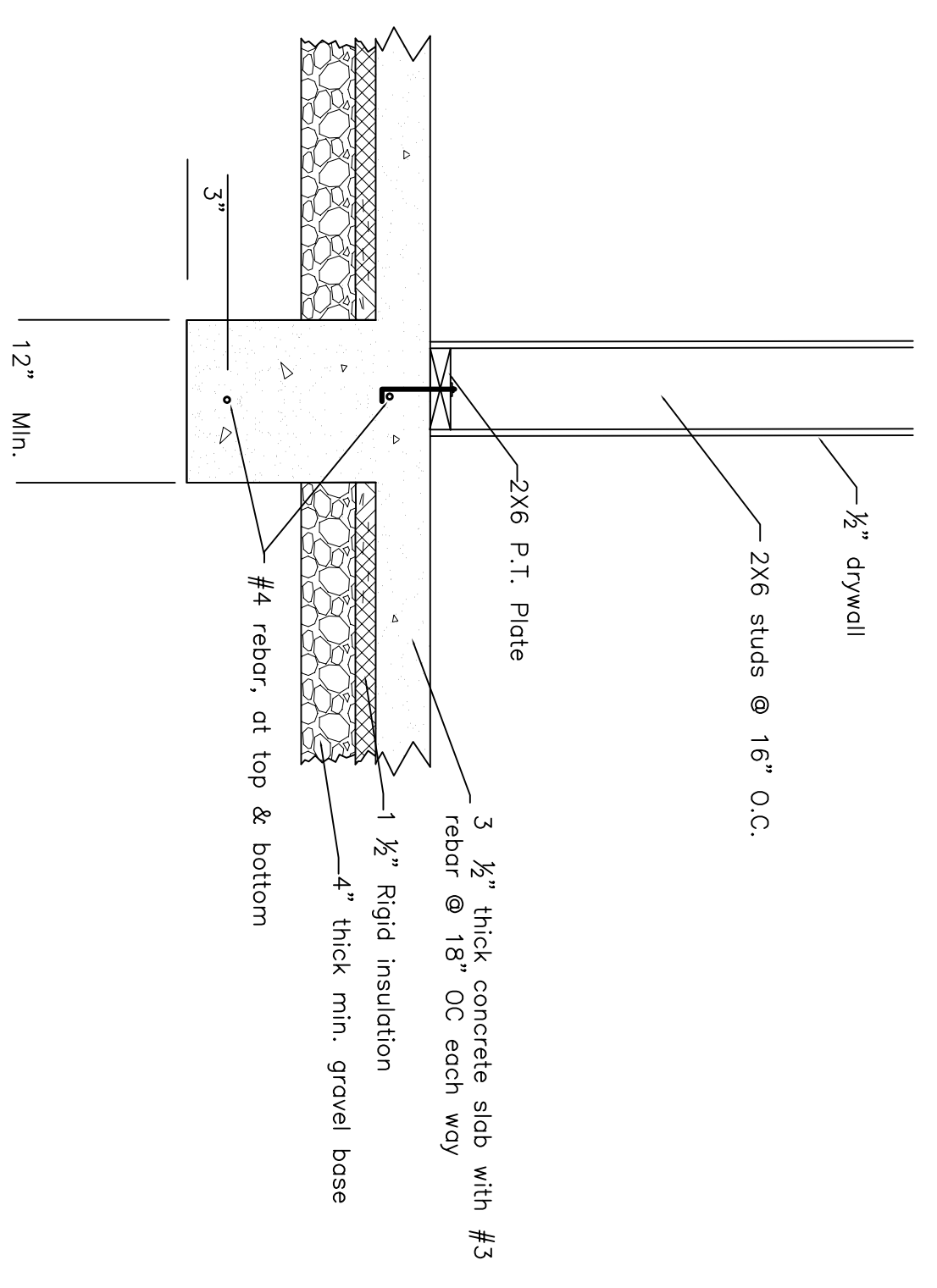
Insulation
Walls R-15
Roof R-21



Foundation Plan 1" = 4'



Slab at perimeter 1" = 1'



Slab at internal wall 1" = 1'